

Specifications

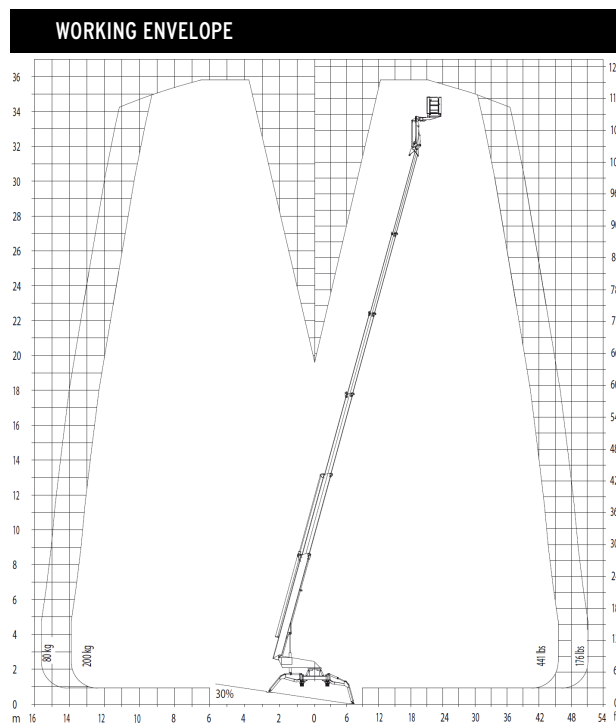
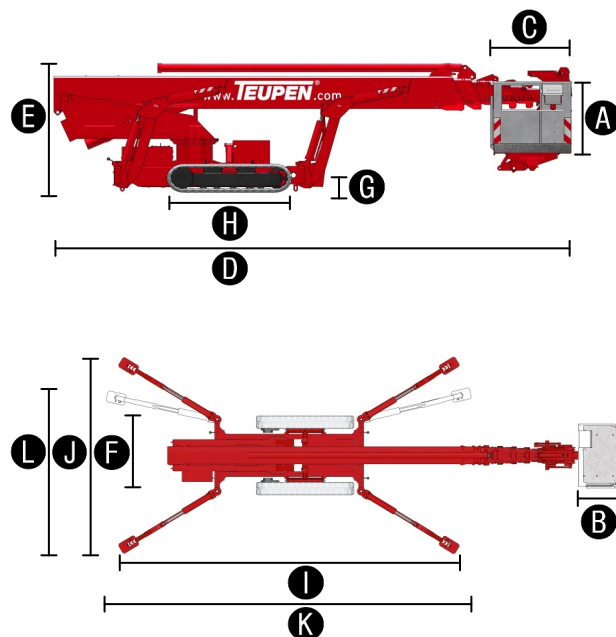


| MEASUREMENTS | Metric | US |
|---|-----------------|-------------------|
| Working height, max. | 35,50 m | 115 ft 11 in |
| Horizontal outreach with 80 kg | 15,60 m | 51 ft 2 in |
| Horizontal outreach with 200 kg | 13,90 m | 45 ft 7 in |
| Up and Over Clearance, max. | - | - |
| Platform height (A) | 1,10 m | 3 ft 7 in |
| Platform length (B) | 1,20 m | 3 ft 11 in |
| Platform width (C) | 0,80 m | 2 ft 8 in |
| Length, overall (D) | 8,18 m | 26 ft 10 in |
| Height, travel position (E) | 1,98 m | 6 ft 6 in |
| Width, minimal overall width (F) | 1,58 m | 5 ft 3 in |
| Max. ground clearance (G) | 1,26 m | 4 ft 1+ in |
| Track (LxW) (H) | 1,92 m x 0,25 m | 6 ft 2 in x 10 in |
| Length outrigger footprint standard (I) | 5,30 m | 17 ft 5 in |
| Width outrigger footprint standard (J) | 4,75 m | 15 ft 7 in |
| Length footprint one side narrow (K) | 6,64 m | 21 ft 9 in |
| Width footprint one side narrow (L) | 3,95 m | 12 ft 11 in |
| Width footprint both sides narrow (M) | - | - |
| Outrigger plate Ø | 0,31 m x 0,22 m | 12 in x 8 ½ in |

| PRODUCTIVITY | Metric | US |
|------------------------------------|-------------|--------------|
| Basket capacity | 200 kg | 441 lbs |
| Movable Jib | 180 ° | 180 ° |
| Basket rotation | 180 ° | 180 ° |
| Turret rotation | 450 ° | 450 ° |
| To be jacked up on ground slope of | 16,7° / 30% | 16.7° / 30% |
| Height and width track adjustment | 22 / 17 cm | 8 ¾ / 6 ¾ in |
| Gradeability max. | 16,7° / 30% | 16.7° / 30% |
| Slope angle | 16,7° / 30% | 16.7° / 30% |
| Travel speed | 3,0 km/h | 1.9 mph |

| WEIGHT | Metric | US |
|-------------------------------------|------------------------|------------|
| Total weight | 4850 kg | 10,692 lbs |
| Live load in travelling position | 3,75 kN/m ² | 78.3 psf |
| Live load in working position | 2,4 kN/m ² | 50.1 psf |
| Max. point load per outrigger plate | 35,0 kN | 7868 lbf |

| POWER | | |
|--|---|----------|
| Standard power sources (Hybrid: Electric & combustion engine) | 1) Diesel: Kubota D 902-E (16.1 kW, 21.9 hp) 2) Electric motor: 115 V (US), 230 V (EU) | |
| Optional power sources | 1) Battery: 80 V Battery drive | |
| Fuel tank capacity Diesel engine | 40,0 l | 10.5 gal |



STANDARDS COMPLIANCE



EN ISO 9001



ANSI A92.5-2006
CSA B354.1-04
EN 280:2001

Product specifications are subject to change without notice or obligation. Photographs and drawings in this document are for illustrative purposes only. Refer to the appropriate Operator's Manual for instructions on the proper use of this equipment. Failure to follow the appropriate Operator's Manual when using our equipment or to otherwise act irresponsibly may result in serious injury or death. The only warranty applicable to our equipment is the standard written warranty applicable to the particular product and sale and we make no other warranty, expressed or implied. Products and services listed may be trademarks, service marks or trade-names of Teupen Maschinenbau GmbH and/or its subsidiaries in the U.S.A. and many other countries. "Teupen", "Access redefined" and "LEO Series" are registered Trademarks of Teupen GmbH in the United States of America and many other countries. © 2012 Teupen Maschinenbau GmbH.

Features

TRACK CHASSIS

- Powerful track drive with hydraulic braking system
- Precise maneuvering over sensitive electrohydraulic cable remote control
- Rubber tracks with specially arranged profile providing optimum grip
- White, non-marking rubber tracks
- Hydraulically height- and width adjustable track chassis

STABILISATION

- Fully-hydraulic, automatic leveling system with constant outrigger setup monitoring
- Variable stabiliser/outrigger system with one-side narrow setup option

BOOM SYSTEM

- Telescoping boom made from robust steel and aluminium profiles on wear-resistant rollers
- All functions are available from one radio remote control panel
- Electric-proportional controls with intuitive operator guidance
- Robust, lockable control panel with integrated operation & display function
- Self-levelling platform with fully-hydraulic levelling system
- 180° basket rotation
- Boom rotation via high-performance slew ring, worm gear and hydraulic motor
- Basket changing system
- 180° movable jib, even in load limit range

POWER SOURCES

- 230 V Electric Motor (EU), 115 V Electric Motor (US)
- Kubota Diesel engine D902, silenced
- Start-Stop switch of combustion engine in the basket

PRODUCTIVITY, SAFETY, QUALITY

- 230V (EU), 115V (US) double power outlet in the basket
- Ergonomically shaped basket with eyelets for safety belts and tool tray
- Lockable storage box for radio remote control
- High-quality paint in RAL3020 (red)
- Electronically regulated emergency control system
- Cables and hoses are safely routed through the boom structure
- Biodegradable hydraulic oil
- Lock valves - hydraulic return valves directly on all hydraulic cylinders
- Relief valves protecting the hydraulic system from too high pressures
- Protective covers for oil-tank, emergency controls and connecting cables and hoses
- Easily removable covers for optimal accessibility
- Hour meter
- FuzzyIV controls with interactive display



OPTIONS

- Snap hooks on boom
- Electric emergency lowering, 12kg/24lbs additional weight
- 4 covers on piston rod cylinders (outrigger cylinder), 10kg/11lbs additional weight
- Custom paintwork, one colour, according to RAL scheme (except metallic coatings, signal- or special colors)
- Custom paintwork, two colours, according to RAL scheme (except metallic coatings, signal- or special colors)
- Treecare package, consisting of:
 - Protective cover hydraulic tank
 - Protective cover ground control panel
 - Protective cover outrigger cylinders
- 80V battery drive with charger (in lieu of Kubota Diesel, extra weight approx 400kg/882lbs)
- Additional electric drive 230V/50Hz (115V US) for an optimal adjustment of the electric pump to various operation modes
- Height shut-off system for boom, 2 set-points
- Separating grate in basket, 10kg additional weight
- Basket* 900 x 800mm (2ft 11in x 2ft 7in)
- Basket holder, detachable, for 900x800mm basket

** Choosing other basket sizes results in different machine specifications and performance and requires additional basket support mount.*

ACCESSORIES

- 4 Outrigger pads (340x850 mm / 1ft1in x 2ft9in)
- Track mats (2000 x 1000 x 15 mm / 6ft 6in x 3ft3in x 1/2in), extra durable rubber
- Safety harness
- 2x Protective track covers, made of high-quality polypropylene fabric
- Subframe for truck Mitsubishi Canter, Total weight 450kg

Enquiries from Europe, Asia, Middle East & Africa:

Corporate Headquarters

Teupen Maschinenbau GmbH
Marie-Curie-Str. 13
Germany

phone +49 2562 8161-0
fax +49 2562 6161-888

mail@teupen.com
www.teupen.com

Enquiries from North & South America:

US Office

Teupen USA, Inc.
10701 Southern Loop Blvd.
Pineville, NC 28134, USA

phone (704) 248-9871
fax (704) 248-9889

infousa@teupen.com
www.teupen.com/us